

 TOPCON



SIGNATURE SERIES

Model OC-2400

with AutoTilt

SIGNATURE SERIES

Model OC-2400

Standard Chair Features

- Motorized tilt
- Hydraulic lift 9" stroke
- User programmable memory two position control
- Back illuminated membrane switch control on both chair sides
- Solid cast aluminum frame, armrest, footrest, and base
- Single button folding armrest
- Securely locking band brake with handle on both chair sides
- Ergonomically contoured cushions with anti-viral fabric
- Self-lubricating hinges and bushings
- Foot pedal control
- Innovative FlashPort technology

Optional Features

- Dual foot pedal control

Chair Dimensions and Specifications

Movements

Elevation Stroke: 9"

Rotation Angle: 355°

Electrical

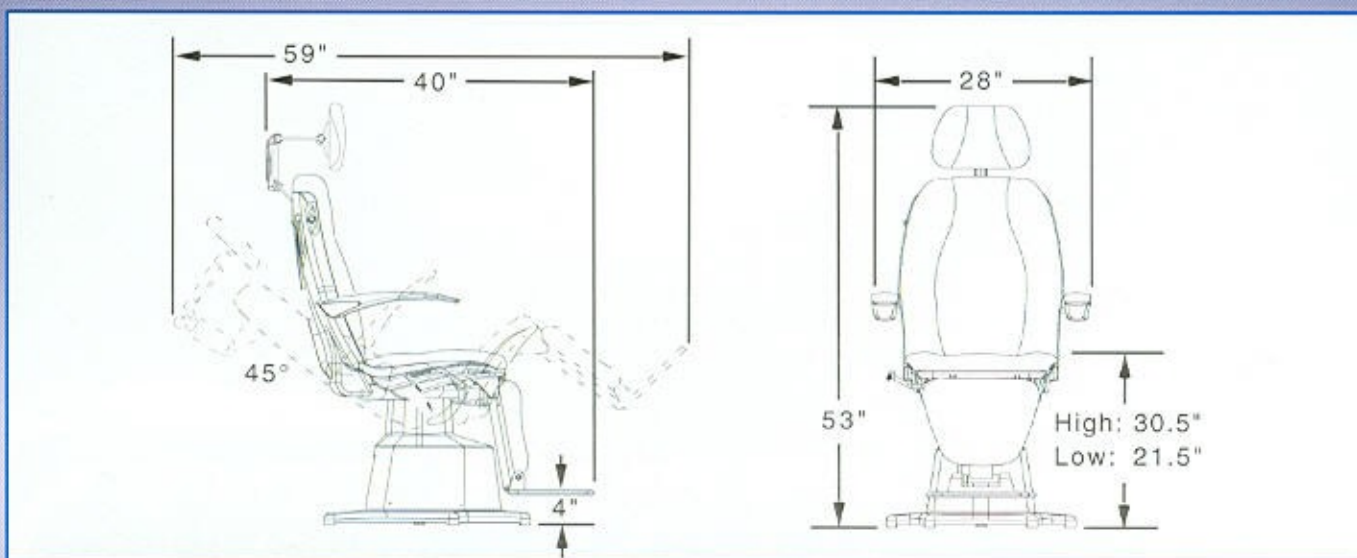
115 V, 60 Hz, 7 A

220 V, 50 Hz, 3 A

Weight

Chair Capacity: 500 lbs.

Shipping Wt: 286 lbs.



Dimensions and specifications are subject to change without notice.



TOPCON AMERICA CORPORATION • 37 West Century Road, Paramus, New Jersey 07652
Phone: 201-261-9450 • 1-800-223-1130 Fax: 201-387-2710 <http://www.topcon.com>